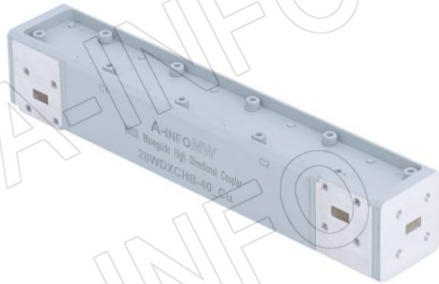


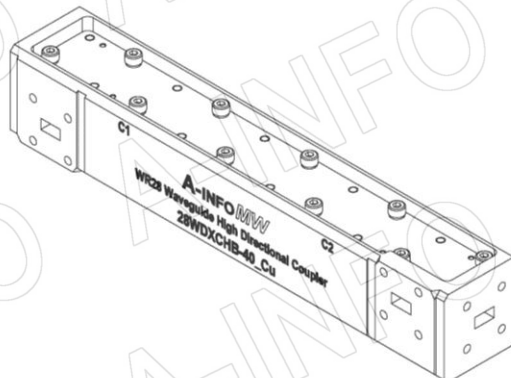
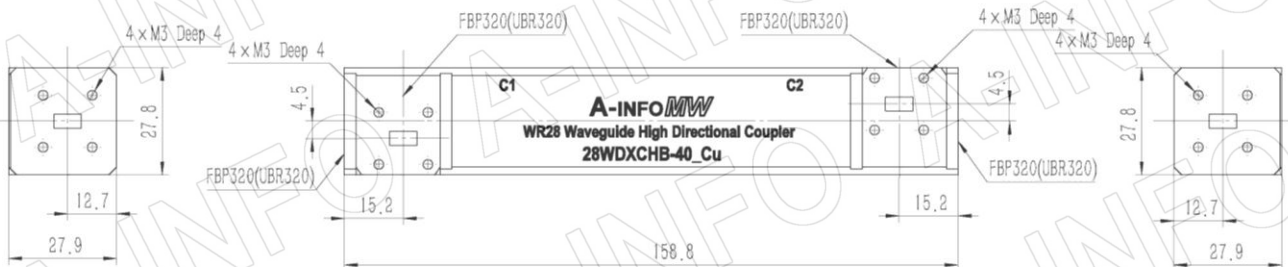
For reference only. See data sheet for the detailed specifications.

Technical Specification

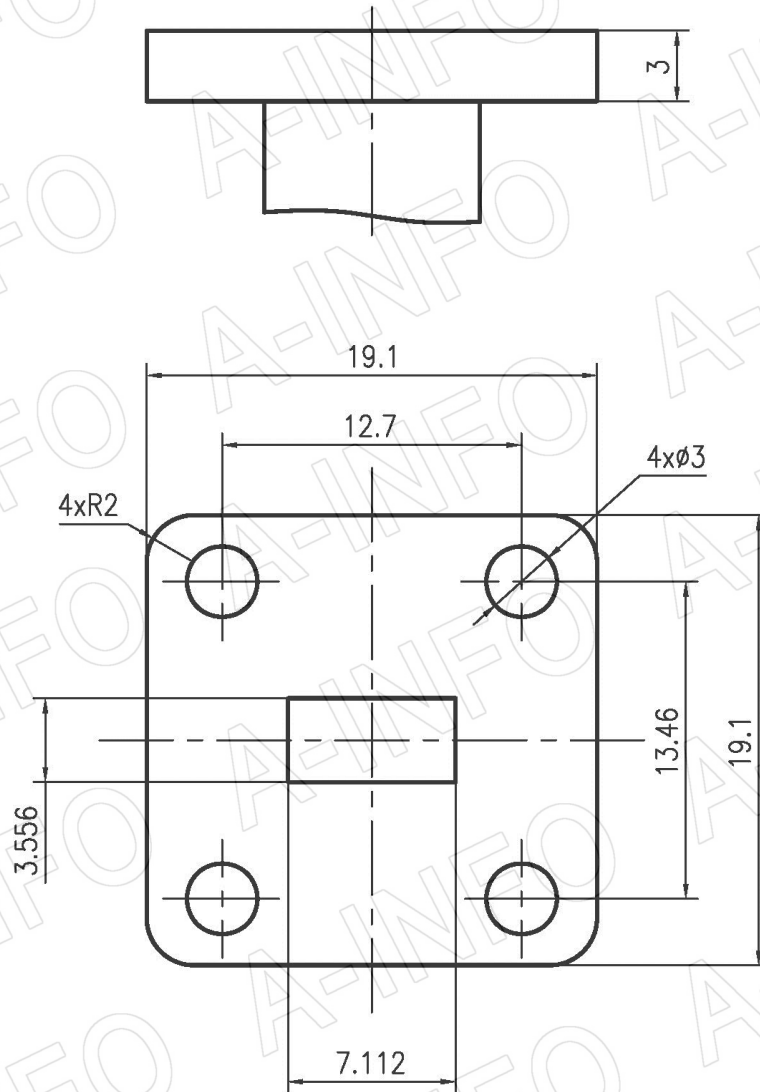


EIA WR	WR28
Frequency Range(GHz)	26.5 – 40.0
Coupling(dB)	40
Coupling Accuracy(dB)	±1.0 Max.
Freq. Sensitivity(dB)	±0.9 Max.
Directivity(dB)	30 Min.
Insertion Loss(dB)	0.3 Max. (Not including the theoretical loss 8.69×10^{-4} dB)
Mainline VSWR	1.10:1 Max.
Secondline VSWR	1.15:1 Max.
Flange	FBP320(UBR320)
Material	Cu
Size(mm)	158.8 x 27.9 x 26.76
Net Weight(Kg)	0.65 Around

Outline Drawing (Size: mm)



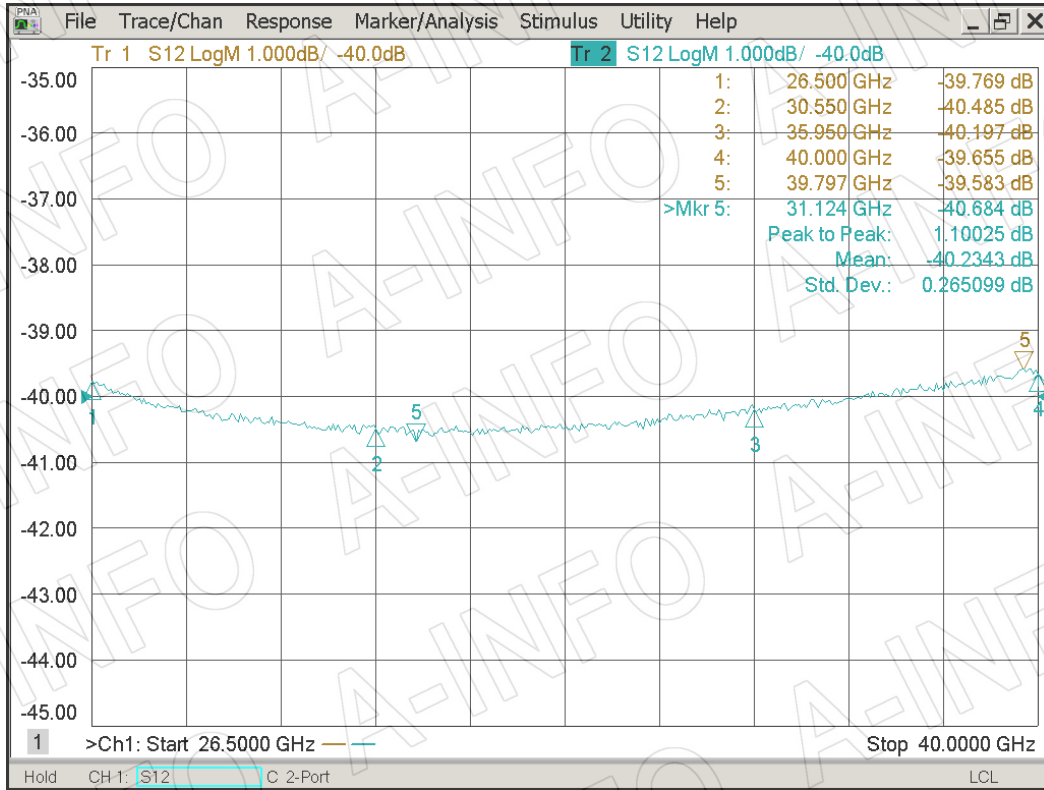
Flange Drawing (Size: mm)



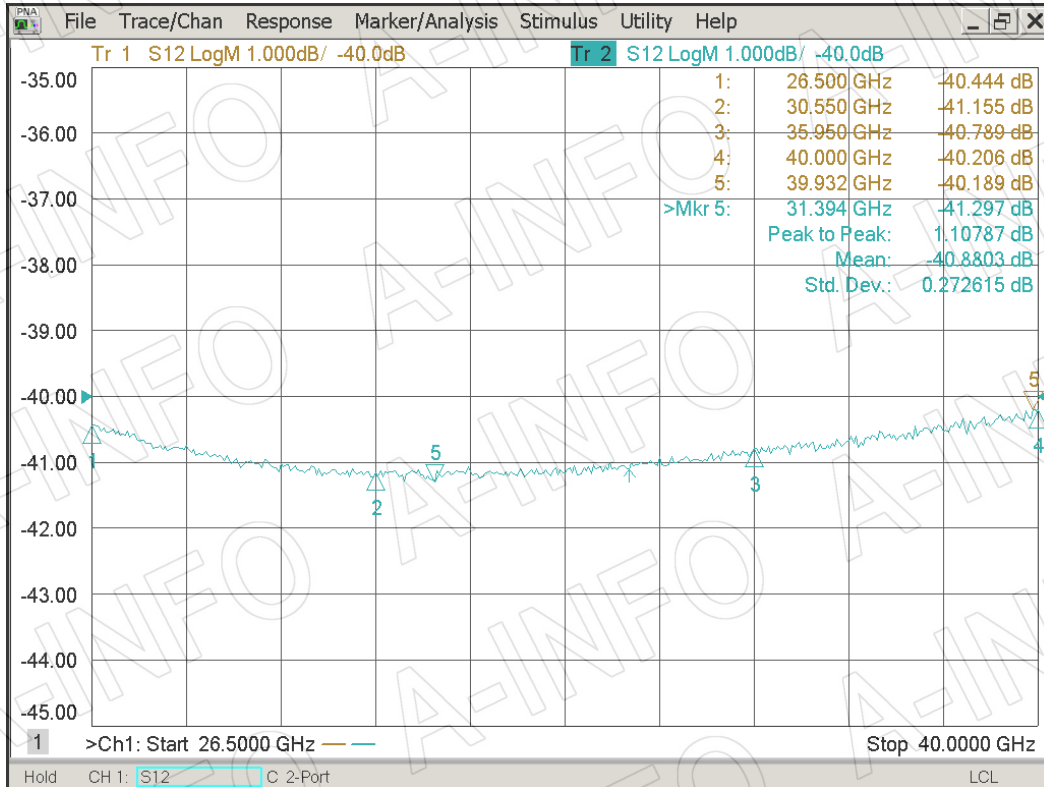
FBP320

Test Results

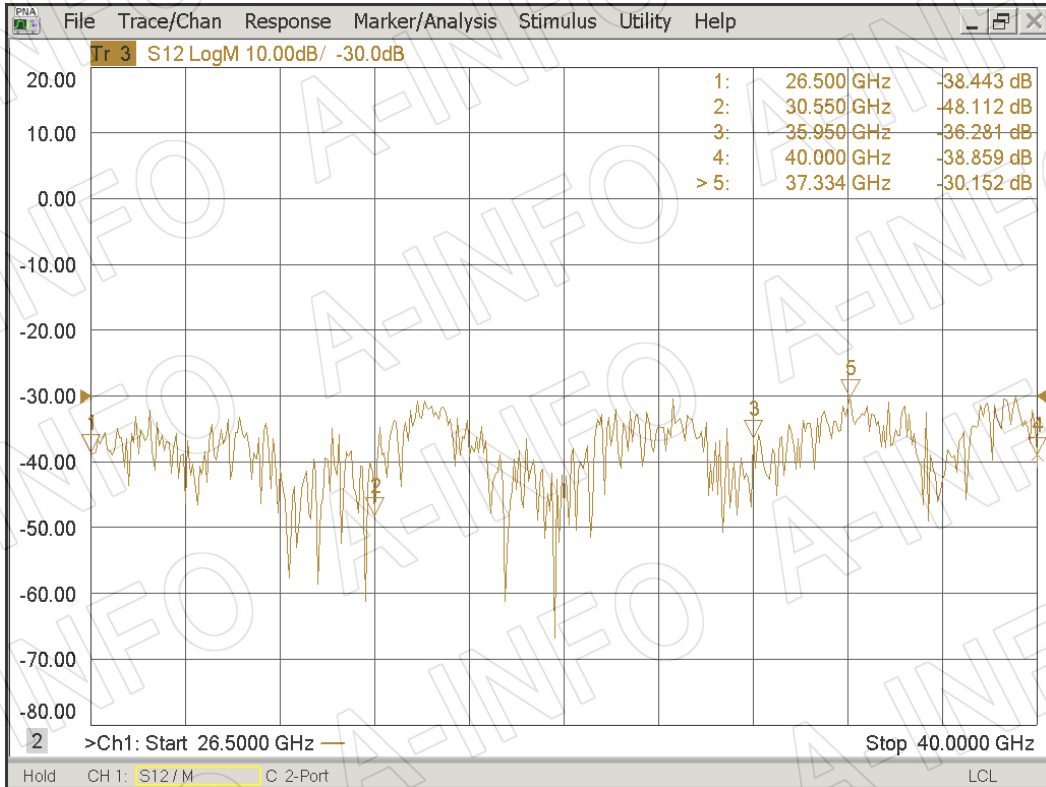
Coupling
Port 1



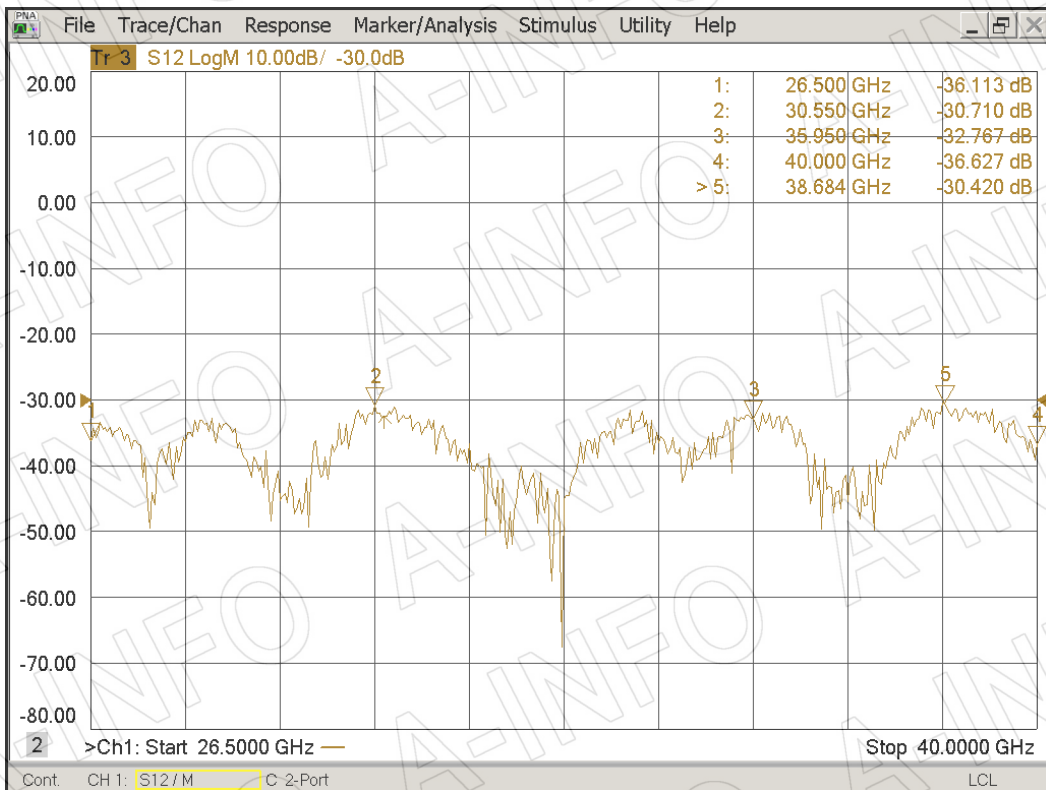
Port 2



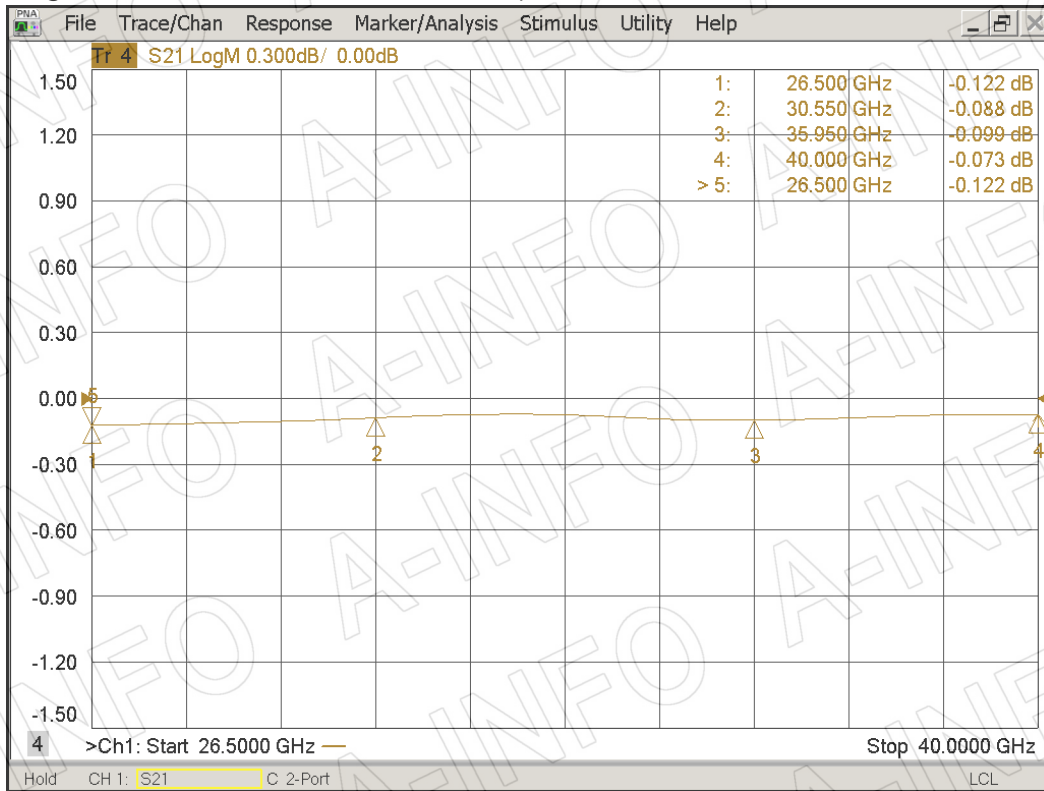
Directivity Port 1



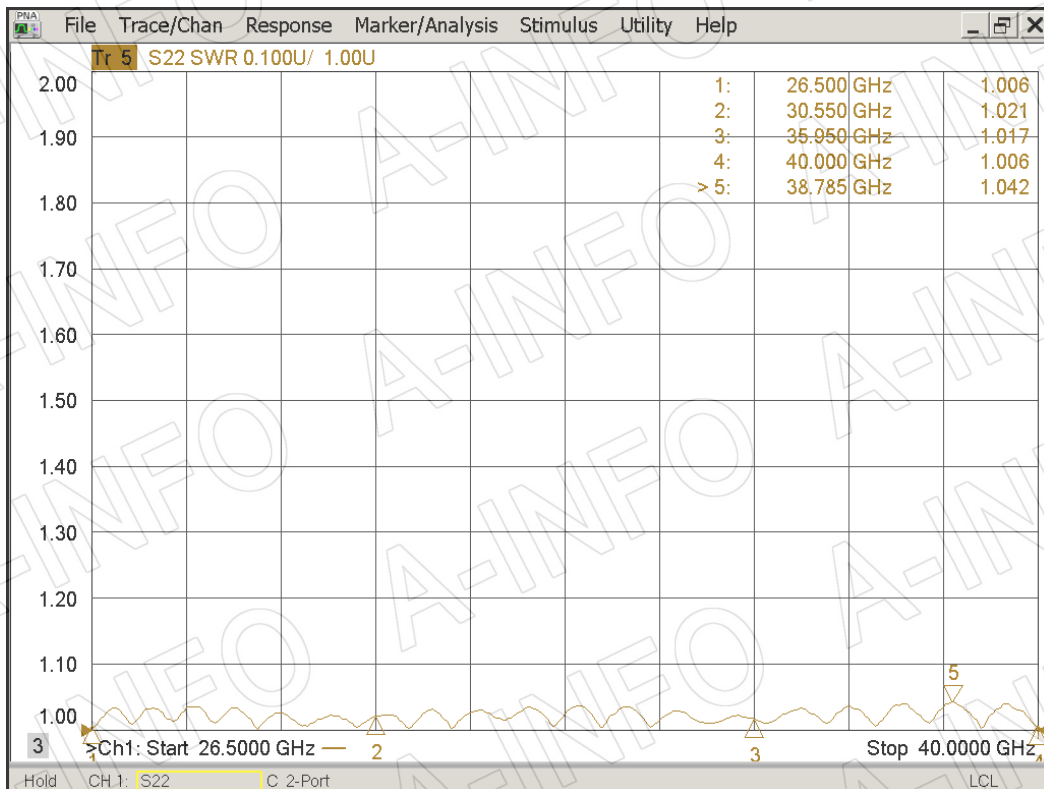
Port 2



I.L. (Including the theoretical loss 8.69×10^{-4} dB)

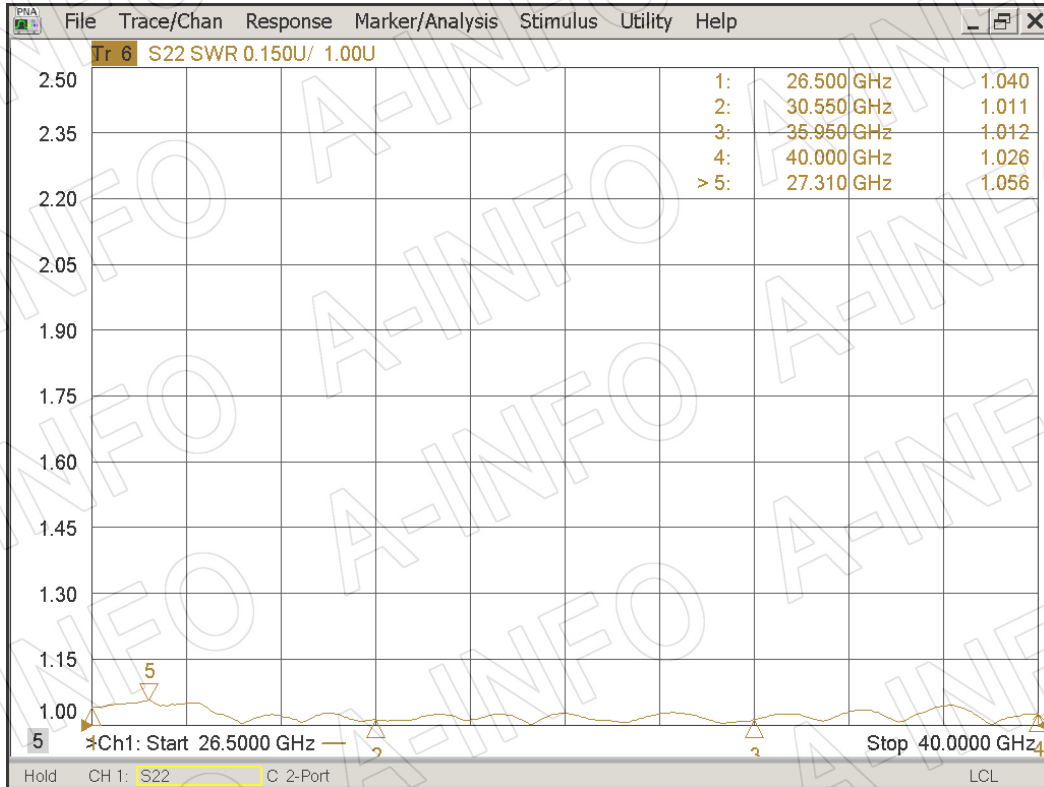


Mainline VSWR



Secondline VSWR

Port 1



Port 2

